

Coaxial Switch GaAs

ZSWA-4-30DR

50Ω SP4T, TTL Driver, Absorptive DC to 3 GHz

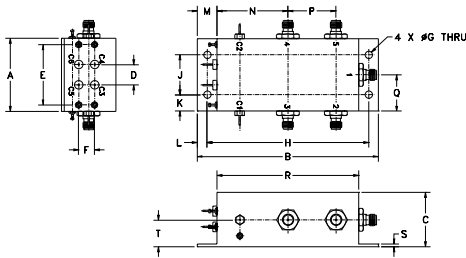
Maximum Ratings

Operating Temperature	-30°C to 85°C
Storage Temperature	-55°C to 100°C
Input Power	see Table
Vcontrol	(V+) +0.4V
Permanent damage may occur if any of these limits are exceeded.	

Coaxial/Pin Connections

RF IN	1
RF OUT 1	2
RF OUT 2	3
RF OUT 3	4
RF OUT 4	5
CONTROL 1	C5
CONTROL 2	C3
CONTROL 3	C4
CONTROL 4	C6
+5V (V+)	C2
-5V (V-)	C1

Outline Drawing



Outline Dimensions (inch/mm)

A	B	C	D	E	F	G	H	J	K
1.61	4.00	1.20	.45	1.33	.35	.161	3.560	.880	.36
40.89	101.60	30.48	11.43	33.78	8.89	4.09	90.42	22.35	9.14
L	M	N	P	Q	R	S	T	wt	
.22	.44	1.56	1.06	.80	3.12	.06	.59	grams	
5.59	11.18	39.62	26.92	20.32	79.25	1.52	14.99	150.0	

Features

- wideband, DC to 3 GHz
- low video leakage, 30 mVp-p typ.
- high isolation, 37 dB typ. @ 2 GHz
- integral TTL driver

Applications

- transmitter/receiver isolation
- automated switching networks
- cellular
- PCN

Electrical Specifications

FREQ. (GHz)	INSERTION LOSS (dB)						1dB COMPR. (dBm)			IN-OUT ISOLATION (dB)						
	DC-500 MHz		500-2000 MHz		2000-3000 MHz		DC-500 MHz	500-2000 MHz	2000-3000 MHz	DC-500 MHz		500-2000 MHz		2000-3000 MHz		
f _L	f _U	Typ.	Max.	Typ.	Max.	Typ.	Max.	Typ.	Typ.	Typ.	Typ.	Min.	Typ.	Min.	Typ.	Min.
DC	3	1.0	1.8	1.5	3.0	2.0	3.9	23*	25	25	50	40	37	32	31	26

*1dB compression gradually decreases to 10 dBm at 1 MHz

Additional Specifications

*TTL Control Voltage	0/V+ 0.8 max.		
Low Threshold, V	3.5 min.		
High Threshold, V	3.5 min.		
TTL Control Current, mA	0.2 max.		
High V, mA	0.02 max.		
Low V, mA	0.02 max.		
Positive Supply V. (V+)	+5±0.5		
Negative Supply V. (V-)	-5±0.25		
Positive Supply Current, mA	4 max		
Negative Supply Current, mA	20 max.		
VSWR(:1)	1.28 typ., ON 1.24 typ., OFF DC-2GHz		
Rise/Fall time (10%-90%), ns	25 typ.		
Switching time, 50% of Control to 90% RF (Turn-on), ns	45 typ.		
10% RF (Turn-off), ns	45 typ.		
**Video Leakage, mVp-p 0/+5V Control	30 typ.		
MTBF, hrs @85°C case	30X10 ⁶		
Max. Input Power, dBm	DC-100 MHz	100-500 MHz	500-3000 MHz
Steady state control	+20	+24	+30
As Modulator	+8	+14	+20

* Do not apply control voltage high prior to applying V+

** Video leakage or break through is defined as leakage of TTL switching signal to RF output ports. All RF pins must be DC blocked or held at 0V DC.



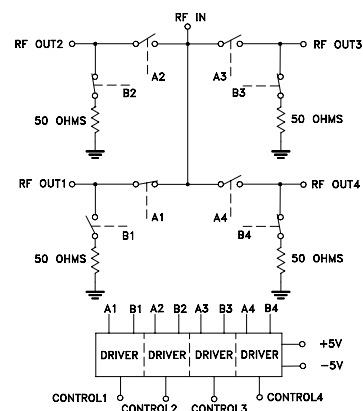
CASE STYLE: CV665

Connectors	Model	Price	Qty.
SMA	ZSWA-4-30DR	\$119.95	(1-9)

CONTROL LOGIC

Control Ports				RF outputs			
1	2	3	4	1	2	3	4
Low	High	High	High	On	Off	Off	Off
High	Low	High	High	Off	On	Off	Off
High	High	Low	High	Off	Off	On	Off
High	High	High	Low	Off	Off	Off	On

Electrical Schematic



Mini-Circuits®
ISO 9001 ISO 14001 AS 9100 CERTIFIED

P.O. Box 350166, Brooklyn, New York 11235-0003 (718) 934-4500 Fax (718) 332-4661 The Design Engineers Search Engine Provides ACTUAL Data Instantly at minicircuits.com

IF/RF MICROWAVE COMPONENTS

For detailed performance specs & shopping online see web site

Notes: 1. Performance and quality attributes and conditions not expressly stated in this specification sheet are intended to be excluded and do not form a part of this specification sheet. 2. Electrical specifications and performance data contained herein are based on Mini-Circuit's applicable established test performance criteria and measurement instructions. 3. The parts covered by this specification sheet are subject to Mini-Circuits standard limited warranty and terms and conditions (collectively, "Standard Terms"); Purchasers of this part are entitled to the rights and benefits contained therein. For a full statement of the Standard Terms and the exclusive rights and remedies thereunder, please visit Mini-Circuits' website at www.minicircuits.com/MCLStore/terms.jsp.

REV. C
M116291
ED-7188/1
ZSWA-4-30DR
WP/CP
081215

Typical Performance Data

FREQ. (MHz)	ON INSERTION LOSS (dB) TTL Low @ 0V IN-OUT		OFF ISOLATION (dB) TTL High @ 5V IN-OUT		VSWR IN	VSWR OUT ON	VSWR OUT OFF
	\bar{x}	σ	\bar{x}	σ			
1.00	0.59	0.007	94.53	1.66	1.05	1.07	1.29
125.75	0.87	0.008	62.61	0.49	1.14	1.08	1.26
250.50	0.97	0.007	57.54	0.31	1.10	1.14	1.26
375.25	1.02	0.011	54.64	0.24	1.22	1.19	1.27
500.00	1.09	0.012	52.17	0.23	1.26	1.24	1.28
687.50	1.28	0.011	49.37	0.19	1.46	1.31	1.30
875.00	1.35	0.010	47.33	0.26	1.53	1.34	1.35
1062.50	1.47	0.013	45.96	0.26	1.49	1.37	1.38
1250.00	1.47	0.017	44.64	0.20	1.45	1.35	1.37
1437.50	1.51	0.021	44.41	0.25	1.37	1.34	1.41
1625.00	1.50	0.022	44.27	0.34	1.24	1.35	1.41
1812.50	1.63	0.036	43.69	0.29	1.35	1.31	1.41
2000.00	1.73	0.040	44.05	0.31	1.25	1.29	1.42
2333.33	1.80	0.042	42.78	0.29	1.66	1.30	1.37
2444.44	1.89	0.058	43.76	0.34	1.38	1.34	1.35
2555.56	1.90	0.055	42.68	0.34	1.54	1.38	1.31
2666.67	2.03	0.062	41.94	0.29	1.60	1.33	1.31
2777.78	2.07	0.069	42.93	0.42	1.27	1.45	1.25
2888.89	2.18	0.072	41.51	0.36	1.51	1.40	1.29
3000.00	2.28	0.078	41.43	0.38	1.65	1.47	1.22

