

Coaxial

Low Noise Amplifier

ZQL-900MLNW

50Ω 800 to 900 MHz

Features

- very low noise, 1.7 dB max
- high IP3, +41 dBm typ.
- rugged, shielded case

Applications

- UHF
- communications systems
- cellular



CASE STYLE: CW686

Connectors	Model	Price	Qty.
SMA	ZQL-900MLNW	\$249.00 ea.	(1-9)

Low Noise Amplifier Electrical Specifications

MODEL NO.	FREQUENCY (MHz)		NOISE FIGURE (dB)	GAIN (dB)		MAXIMUM POWER (dBm)		INTERCEPT POINT (dBm)	VSWR (:1) Typ.		DC POWER	
	f_L	f_U		Max.	Min.	Flatness Max.	Output (1 dB Compr.) Typ.		Input (no damage)	IP3 Typ.	In	Out
ZQL-900MLNW	800	900	1.7	22	±2.2	+23	+3	+41	1.3	1.4	15	230

Open load is not recommended, potentially can cause damage.
With no load derate max input power by 20 dB

Maximum Ratings

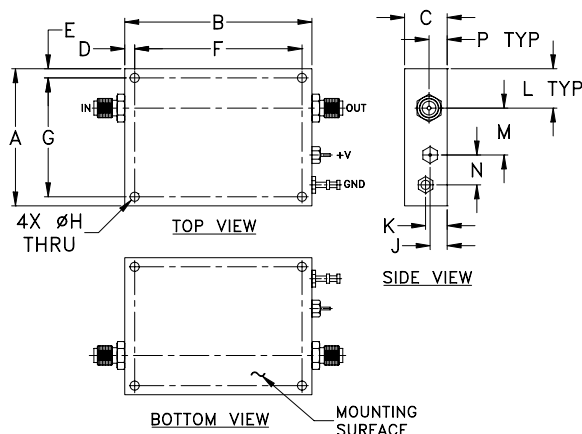
Operating Temperature -40°C to 70°C

Storage Temperature -55°C to 100°C

DC Voltage +17V Max.

Permanent damage may occur if any of these limits are exceeded.

Outline Drawing



Outline Dimensions (inch mm)

A	B	C	D	E	F	G	H	J	K	L	M	N	P	wt
1.77	2.42	.55	.13	.12	2.165	1.535	.126	.22	.28	.51	.61	.39	0.22	grams
44.96	61.47	13.97	3.30	3.05	55.0	39.0	3.20	5.59	7.11	12.95	15.49	9.91	5.59	71.0



For detailed performance specs & shopping online see web site

P.O. Box 350166, Brooklyn, New York 11235-0003 (718) 934-4500 Fax (718) 332-4661 The Design Engineers Search Engine Provides ACTUAL Data Instantly at minicircuits.com

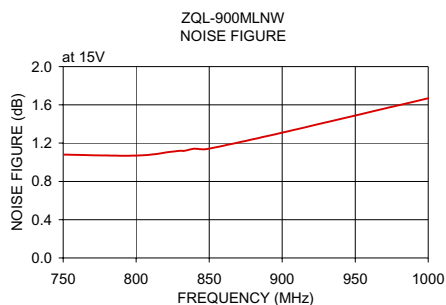
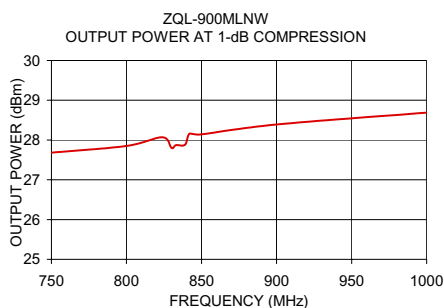
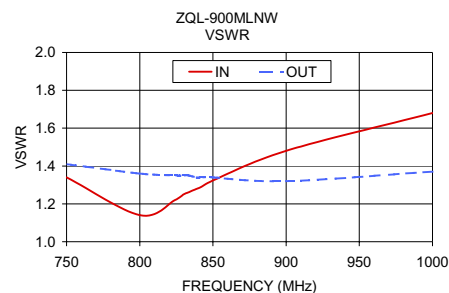
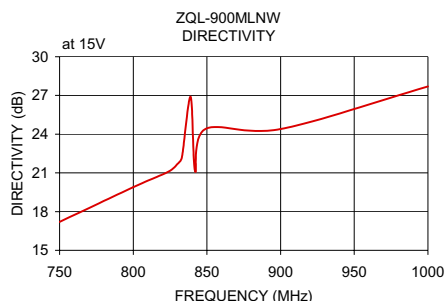
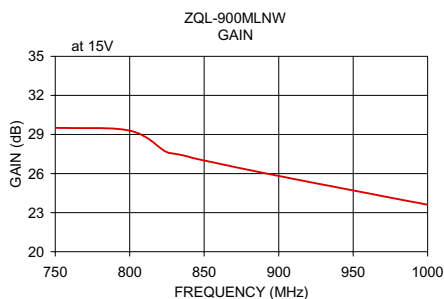
IF/RF MICROWAVE COMPONENTS

Notes: 1. Performance and quality attributes and conditions not expressly stated in this specification sheet are intended to be excluded and do not form a part of this specification sheet. 2. Electrical specifications and performance data contained herein are based on Mini-Circuit's applicable established test performance criteria and measurement instructions. 3. The parts covered by this specification sheet are subject to Mini-Circuits standard limited warranty and terms and conditions (collectively, "Standard Terms"); Purchasers of this part are entitled to the rights and benefits contained therein. For a full statement of the Standard Terms and the exclusive rights and remedies thereunder, please visit Mini-Circuits' website at www.minicircuits.com/MCLStore/terms.jsp.

Typical Performance Data/Curves

ZQL-900MLNW

FREQUENCY (MHz)	GAIN (dB)	DIRECTIVITY (dB)	VSWR (:1)		NOISE FIGURE (dB)	POUT at 1 dB COMPR. (dBm)
	15V	15V	IN	OUT	15V	15V
750.00	29.52	17.20	1.34	1.41	1.08	27.68
800.00	29.30	19.90	1.14	1.36	1.07	27.85
824.00	27.69	21.10	1.22	1.35	1.11	28.07
830.00	27.52	21.70	1.25	1.35	1.12	27.80
833.00	27.46	22.20	1.26	1.35	1.12	27.87
839.00	27.31	26.90	1.28	1.34	1.14	27.88
842.00	27.21	21.10	1.29	1.34	1.14	28.16
849.00	27.03	24.40	1.32	1.34	1.14	28.14
900.00	25.81	24.40	1.48	1.32	1.31	28.39
1000.00	23.60	27.70	1.68	1.37	1.67	28.69



Mini-Circuits®

ISO 9001 ISO 14001 AS 9100 CERTIFIED

P.O. Box 350166, Brooklyn, New York 11235-0003 (718) 934-4500 Fax (718) 332-4661 The Design Engineers Search Engine Provides ACTUAL Data Instantly at minicircuits.com

IF/RF MICROWAVE COMPONENTS

For detailed performance specs & shopping online see web site

Notes: 1. Performance and quality attributes and conditions not expressly stated in this specification sheet are intended to be excluded and do not form a part of this specification sheet. 2. Electrical specifications and performance data contained herein are based on Mini-Circuit's applicable established test performance criteria and measurement instructions. 3. The parts covered by this specification sheet are subject to Mini-Circuits standard limited warranty and terms and conditions (collectively, "Standard Terms"); Purchasers of this part are entitled to the rights and benefits contained therein. For a full statement of the Standard Terms and the exclusive rights and remedies thereunder, please visit Mini-Circuits' website at www.minicircuits.com/MCLStore/terms.jsp.