

# Coaxial Frequency Mixer

## ZP-5LH+ ZP-5LH

Level 10 (LO Power +10 dBm) 20 to 1500 MHz



### Maximum Ratings

Operating Temperature	-55°C to 100°C
Storage Temperature	-55°C to 100°C
RF Power	50mW
IF Current	40mA
Permanent damage may occur if any of these limits are exceeded.	

### Coaxial Connections

LO	L
RF	R
IF	X

### Features

- low conversion loss, 6.9 dB typ.
- excellent L-R isolation, 42 dB typ.
- wideband, 20 to 1500 MHz
- rugged shielded case

### Applications

- VHF/UHF
- satellite distribution
- instrumentation

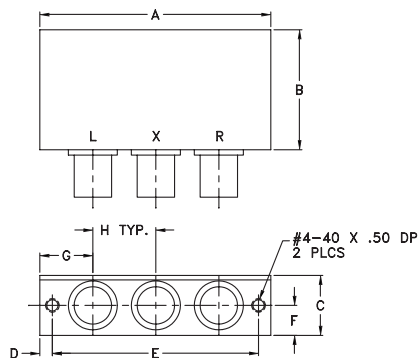
BNC version shown  
CASE STYLE: GG60

Connectors	Model	Price	Qty.
BNC	ZP-5LH-(+)	\$45.95 ea.	(1-9)
SMA	ZP-5LH-S+	\$50.95 ea.	(1-9)

**+ RoHS compliant in accordance with EU Directive (2002/95/EC)**

The +Suffix identifies RoHS Compliance. See our web site for RoHS Compliance methodologies and qualifications.

### Outline Drawing



### Outline Dimensions (inch/mm)

A	B	C	D	E	F	G	H	wt
2.31	1.20	.60	.125	2.062	.30	.53	.63	grams
58.67	30.48	15.24	3.18	52.37	7.62	13.46	16.00	75.0

### Electrical Specifications

FREQUENCY (MHz)	CONVERSION LOSS (dB)				LO-RF ISOLATION (dB)						LO-IF ISOLATION (dB)						
	LO/RF	IF	Mid-Band m	Total Range	L		M		U		L		M		U		
$f_L-f_U$		$\bar{X}$	$\sigma$	Max.	Typ.	Min.	Typ.	Min.	Typ.	Min.	Typ.	Min.	Typ.	Min.	Typ.	Min.	
20-1500	DC-1000	6.9	0.27	8.5	9.0	53	40	42	30	38	25	40	25	30	18	22	8

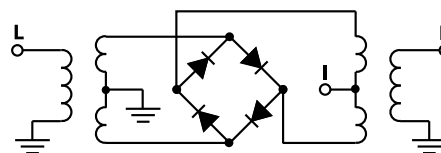
1 dB COMP.: +5 dBm typ.

L = low range [ $f_L$  to  $10 f_L$ ] M = mid range [ $10 f_L$  to  $f_U/2$ ] U = upper range [ $f_U/2$  to  $f_U$ ]  
m = mid band [ $2f_L$  to  $f_U/2$ ]

### Typical Performance Data

Frequency (MHz)		Conversion Loss (dB)	Isolation L-R (dB)	Isolation L-I (dB)	VSWR RF Port (:1)	VSWR LO Port (:1)
RF	LO	LO +10dBm	LO +10dBm	LO +10dBm	LO +10dBm	LO +10dBm
20.00	50.00	5.60	62.84	53.91	1.43	2.57
50.00	80.00	5.38	57.81	46.30	1.32	2.51
100.00	70.00	5.25	52.60	40.86	1.31	2.50
158.75	128.75	5.20	49.11	38.29	1.34	2.38
200.00	170.00	5.25	47.45	36.98	1.48	2.28
297.50	267.50	5.37	44.43	34.13	1.59	2.36
436.25	406.25	5.54	42.14	31.89	1.91	2.34
500.00	470.00	5.74	41.47	30.68	2.36	2.36
575.00	545.00	5.89	40.90	30.02	2.49	2.36
713.75	683.75	6.61	40.16	28.61	2.97	2.45
750.00	720.00	6.80	39.71	28.48	3.40	2.46
760.00	730.00	6.83	39.62	28.42	3.53	2.48
852.50	822.50	7.07	39.30	28.00	3.80	2.56
991.25	961.25	6.99	38.97	26.26	3.86	2.67
1000.00	970.00	7.07	38.98	26.16	3.95	2.70
1130.00	1100.00	7.19	35.93	24.11	3.91	2.73
1222.50	1192.50	7.02	38.98	22.14	3.77	2.73
1361.25	1331.25	6.88	39.21	19.23	3.65	2.77
1453.75	1423.75	6.78	38.09	16.51	3.54	2.78
1500.00	1470.00	6.66	37.95	16.08	3.47	2.77

### Electrical Schematic



**Mini-Circuits**  
ISO 9001 ISO 14001 AS 9100 CERTIFIED

For detailed performance specs & shopping online see web site

P.O. Box 350166, Brooklyn, New York 11235-0003 (718) 934-4500 Fax (718) 332-4661 The Design Engineers Search Engine [www.minicircuits.com](http://www.minicircuits.com) Provides ACTUAL Data Instantly at [minicircuits.com](http://minicircuits.com)

IF/RF MICROWAVE COMPONENTS

Notes: 1. Performance and quality attributes and conditions not expressly stated in this specification sheet are intended to be excluded and do not form a part of this specification sheet. 2. Electrical specifications and performance data contained herein are based on Mini-Circuit's applicable established test performance criteria and measurement instructions. 3. The parts covered by this specification sheet are subject to Mini-Circuit's standard limited warranty and terms and conditions (collectively, "Standard Terms"); Purchasers of this part are entitled to the rights and benefits contained therein. For a full statement of the Standard Terms and the exclusive rights and remedies thereunder, please visit Mini-Circuit's website at [www.minicircuits.com/MCLStore/terms.jsp](http://www.minicircuits.com/MCLStore/terms.jsp).

REV. A  
M98898  
ZP-5LH  
DJ/TD/CP/AM  
100205  
Page 1 of 2

# Performance Charts

# ZP-5LH+ ZP-5LH

