

Coaxial

# Power Splitter/Combiner

## ZFSC-2-372+

2 Way-0° 50Ω 10 to 3700 MHz



CASE STYLE: K18

### Maximum Ratings

Operating Temperature	-40°C to 85°C
Storage Temperature	-55°C to 100°C
Power Input (as a splitter)	1W max.
Internal Dissipation	0.125W max.

Permanent damage may occur if any of these limits are exceeded.

### Coaxial Connections

SUM PORT	3
PORT 1	1
PORT 2	2

### Features

- very wideband, 10 to 3700 MHz
- low insertion loss, 0.6 dB typ.
- excellent amplitude unbalance, 0.2 dB typ.
- excellent phase unbalance, 1.0 deg. typ.
- rugged shielded case

### Applications

- cellular
- GPS
- PCS/DCS
- ISM
- satellite distribution
- MMDS
- defense communications

Connectors	Model	Price	Qty.
SMA	ZFSC-2-372-S+	\$84.95	(1-9)
BRACKET (OPTION "B")		\$2.50	(1+)

**+ RoHS compliant in accordance with EU Directive (2002/95/EC)**

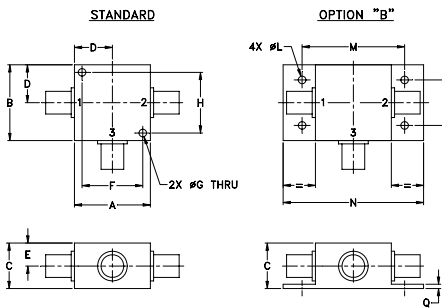
The +Suffix has been added in order to identify RoHS Compliance. See our web site for RoHS Compliance methodologies and qualifications.

### Electrical Specifications

FREQ. RANGE (MHz)	ISOLATION (dB)			INSERTION LOSS (dB) ABOVE 3.0 dB			PHASE UNBALANCE (Degrees)			AMPLITUDE UNBALANCE (dB)		
	L	M	U	L	M	U	L	M	U	L	M	U
$f_c - f_u$	Typ. Min.	Typ. Min.	Typ. Min.	Typ. Max.	Typ. Max.	Typ. Max.	Max.	Max.	Max.	Max.	Max.	Max.
10-3700	18	13	14	0.5	0.8	0.6	1.1	0.8	1.6	1	4	6
2400-3300		25	17		0.6	1.3		5			0.2	0.3
											0.3	0.4

L = low range [ $f_l$  to  $10 f_l$ ] M = mid range [ $10 f_l$  to  $f_u/2$ ] U = upper range [ $f_u/2$  to  $f_u$ ]

### Outline Drawing



### Outline Dimensions (inch/mm)

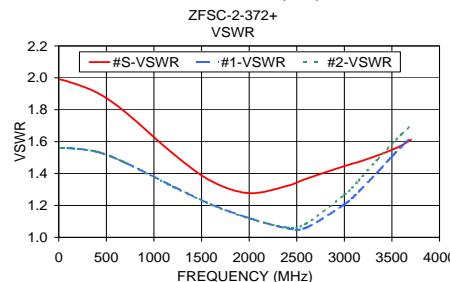
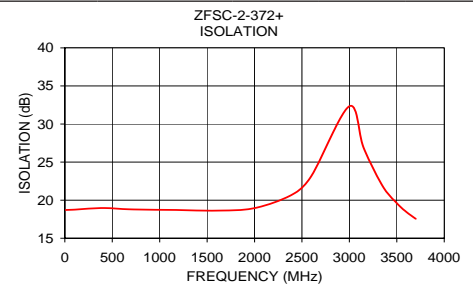
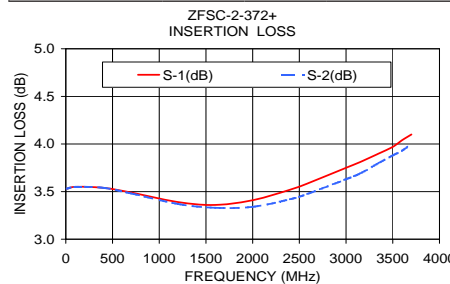
A	B	C	D	E	F	G	H
1.25	1.25	.75	.63	.38	1.00	.125	1.000
31.75	31.75	19.05	16.00	9.65	25.40	3.18	25.40

J	K	L	M	N	P	Q	wt
--	--	.125	1.688	2.18	.75	.07	grams
--	--	3.18	42.88	55.37	19.05	1.78	70.0

### Typical Performance Data

Frequency (MHz)	Insertion Loss (dB)		Amplitude Unbalance (dB)	Isolation (dB)	Phase Unbalance (deg.)	VSWR S	VSWR 1	VSWR 2
	S-1	S-2						
10.00	3.53	3.53	0.00	18.72	0.00	1.99	1.56	1.56
100.00	3.55	3.55	0.00	18.75	0.01	1.98	1.56	1.56
400.00	3.54	3.54	0.01	18.97	0.00	1.91	1.54	1.54
700.00	3.49	3.48	0.01	18.79	0.00	1.78	1.47	1.47
1200.00	3.39	3.37	0.02	18.71	0.02	1.53	1.32	1.32
1600.00	3.36	3.33	0.03	18.63	0.02	1.35	1.21	1.21
2000.00	3.41	3.34	0.06	18.96	0.01	1.28	1.12	1.12
2400.00	3.52	3.42	0.10	20.75	0.10	1.32	1.06	1.06
2600.00	3.59	3.48	0.11	23.20	0.22	1.37	1.06	1.09
3000.00	3.75	3.63	0.12	32.34	0.61	1.45	1.21	1.27
3150.00	3.81	3.69	0.12	26.87	0.72	1.47	1.29	1.36
3350.00	3.90	3.80	0.10	21.86	0.84	1.51	1.41	1.49
3500.00	3.97	3.88	0.10	19.61	0.82	1.55	1.51	1.59
3600.00	4.04	3.93	0.11	18.46	0.71	1.58	1.57	1.65
3700.00	4.10	4.00	0.11	17.55	0.54	1.61	1.63	1.70



### electrical schematic



For detailed performance specs & shopping online see web site



P.O. Box 350166, Brooklyn, New York 11235-0003 (718) 934-4500 Fax (718) 332-4661 The Design Engineers Search Engine Provides ACTUAL Data Instantly at minicircuits.com

Notes: 1. Performance and quality attributes and conditions not expressly stated in this specification sheet are intended to be excluded and do not form a part of this specification sheet. 2. Electrical specifications and performance data contained herein are based on Mini-Circuit's applicable established test performance criteria and measurement instructions. 3. The parts covered by this specification sheet are subject to Mini-Circuits standard limited warranty and terms and conditions (collectively, "Standard Terms"); Purchasers of this part are entitled to the rights and benefits contained therein. For a full statement of the Standard Terms and the exclusive rights and remedies thereunder, please visit Mini-Circuits' website at www.minicircuits.com/MCLStore/terms.jsp.

REV. OR  
M120782  
ZFSC-2-372+  
ED-2876  
HY/WZ/CP  
090824