

Coaxial Directional Coupler

ZFDC-20-5-75

75Ω

100 to 1500 MHz



CASE STYLE: K18

Connectors	Model	Price	Qty.
BNC	ZFDC-20-5-75	\$64.95 ea.	(1-9)

Maximum Ratings

Operating Temperature	-55°C to 100°C
Storage Temperature	-55°C to 100°C

Permanent damage may occur if any of these limits are exceeded.

Coaxial Connections

INPUT	1
OUTPUT	2
COUPLED	3

Features

- very wideband, 100 to 1500 MHz
- excellent directivity, 25 dB typ.
- mainline loss, 0.9 dB typ.
- rugged shielded case

Applications

- catv
- cellular
- communications receivers & transmitters

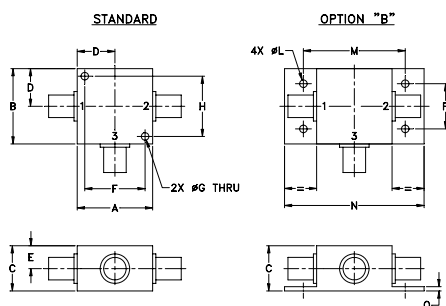
Directional Coupler Electrical Specifications

FREQ. RANGE (MHz)	COUPLING (dB)		MAINLINE LOSS ¹ (dB)						DIRECTIVITY (dB)						VSWR (:1)	POWER INPUT (W)		
	Nom.	Flatness	L		M		U		L		M		U			Typ.	L	MU
			Typ.	Max.	Typ.	Max.	Typ.	Max.	Typ.	Min.	Typ.	Min.	Typ.	Min.				
100-1500	20±0.5	±0.75	0.9	1.3	0.9	1.2	1.1	1.5	30	20	25	18	22	13	1.3	1.0	1.0	

L = 100-500 MHz M = 500-1000 MHz U = 1000-1500 MHz

1. Mainline loss includes theoretical power loss at coupled port.

Outline Drawing

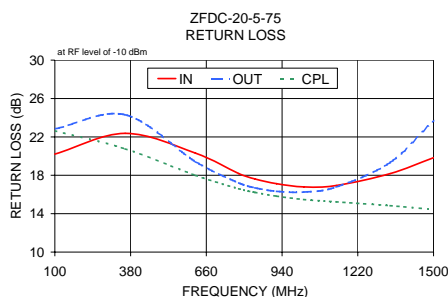
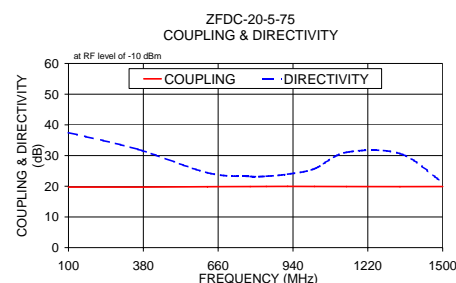
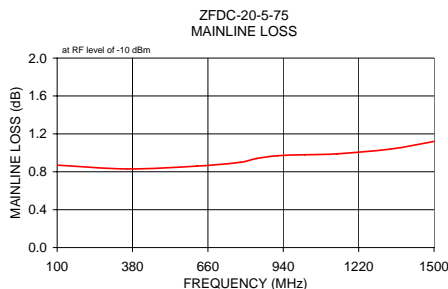


Outline Dimensions (inch/mm)

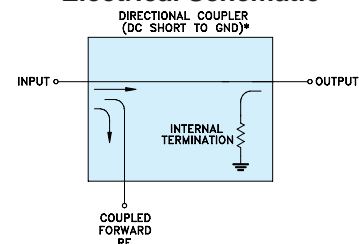
A	B	C	D	E	F	G	H
1.25	1.25	.75	.63	.38	1.00	.125	1.000
31.75	31.75	19.05	16.00	9.65	25.40	3.18	25.40
J	K	L	M	N	P	Q	wt
--	--	.125	1.688	2.18	.75	.07	grams
--	--	3.18	42.88	55.37	19.05	1.78	70.0

Typical Performance Data

Frequency (MHz)	Mainline Loss (dB) In-Out	Coupling (dB) In-Cpl	Directivity (dB)	Return Loss (dB)		Cpl
				In	Out	
100.00	0.87	19.71	37.48	20.21	22.84	22.65
360.00	0.83	19.73	32.02	22.37	24.31	20.76
620.00	0.86	19.84	24.40	20.31	19.42	18.00
780.00	0.90	19.90	23.19	18.18	17.21	16.60
840.00	0.94	19.92	23.27	17.62	16.70	16.22
920.00	0.97	19.95	23.93	17.13	16.33	15.83
1020.00	0.98	19.93	25.69	16.79	16.26	15.48
1140.00	0.99	19.91	31.05	16.93	16.78	15.24
1340.00	1.04	19.88	30.64	18.18	19.34	14.84
1500.00	1.12	19.90	21.26	19.83	23.70	14.44



Electrical Schematic



* ELECTRICAL SCHEMATIC IS FOR DIRECTIONAL COUPLER WITH INTERNAL TRANSFORMER(S) THAT ROUTES DC FROM RF PORTS TO GROUND.

For detailed performance specs & shopping online see web site

Mini-Circuits
ISO 9001 ISO 14001 AS 9100 CERTIFIED
IF/RF MICROWAVE COMPONENTS

P.O. Box 350166, Brooklyn, New York 11235-0003 (718) 934-4500 Fax (718) 332-4661 The Design Engineers Search Engine Provides ACTUAL Data Instantly at minicircuits.com

Notes: 1. Performance and quality attributes and conditions not expressly stated in this specification sheet are intended to be excluded and do not form a part of this specification sheet. 2. Electrical specifications and performance data contained herein are based on Mini-Circuit's applicable established test performance criteria and measurement instructions. 3. The parts covered by this specification sheet are subject to Mini-Circuits standard limited warranty and terms and conditions (collectively, "Standard Terms"); Purchasers of this part are entitled to the rights and benefits contained therein. For a full statement of the Standard Terms and the exclusive rights and remedies thereunder, please visit Mini-Circuits' website at www.minicircuits.com/MCLStore/terms.jsp.

REV. A
M119986
ZFDC-20-5-75
WZ/TD/CP/AM
091116