

Coaxial Bias-Tee

ZFBT-4R2G+

50Ω Wideband 10 to 4200 MHz



CASE STYLE: K18

Maximum Ratings

Operating Temperature	-55°C to 100°C
Storage Temperature	-55°C to 100°C
RF Power	30 dBm max.
Voltage at DC port	30 V max.
Input Current	500 mA
DC resistance from DC to RF&DC port	4.5 ohm typ.

Permanent damage may occur if any of these limits are exceeded.

Coaxial Connections

RF	1 (SMA female)
RF&DC	2 (SMA male)
DC	3 (SMA female)

Features

- wideband, 10 to 4200 MHz
- low insertion loss, 0.6 dB typ.
- good isolation, 40 dB typ.

Applications

- biasing amplifiers
- biasing of laser diodes
- biasing of active antennas
- DC return
- DC blocking
- test accessory

Connectors	Model	Price	Qty.
SMA	ZFBT-4R2G+	\$59.95	(1-9)
BRACKET (OPTION "B")		\$2.50	(1+)

+ RoHS compliant in accordance with EU Directive (2002/95/EC)

The +Suffix has been added in order to identify RoHS Compliance. See our web site for RoHS Compliance methodologies and qualifications.

Bias-Tee Electrical Specifications

FREQUENCY (MHz)		INSERTION LOSS* (dB)			ISOLATION* (dB) (RF port to DC port) (RF&DC port to DC port)			VSWR** (:1)											
f_L	f_U	L	M	U	L	M	U	L	M	U									
		Typ.	Max.	Typ.	Max.	Typ.	Max.	Typ.	Max.	Typ.									
10	4200	0.15	0.6	0.6	1.2	0.6	1.6	32	20	40	20	50	20	1.06	1.2	1.13	1.3	1.13	1.3

L= low range (f_L to 10 f_L)

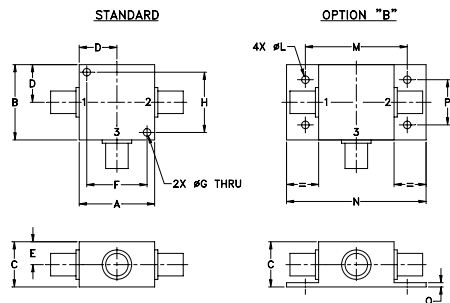
M= mid range (10 f_L to $f_U/2$)

U= upper range ($f_U/2$ to f_U)

* Insertion Loss and Isolation are guaranteed up to 20 dBm-RF power and 200mA DC current.

**VSWR measured with open and short at DC port.

Outline Drawing



Outline Dimensions (inch/mm)

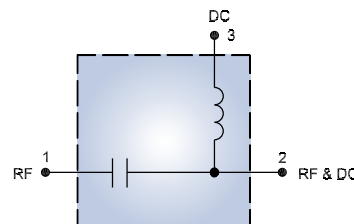
A	B	C	D	E	F	G	H
1.25	1.25	.75	.63	.38	1.00	.125	1.000
31.75	31.75	19.05	16.00	9.65	25.40	3.18	25.40

J	K	L	M	N	P	Q	wt
--	--	.125	1.688	2.18	.75	.07	grams
--	--	3.18	42.88	55.37	19.05	1.78	70.0

Typical Performance Data

Freq. (MHz)	Pin (dBm)	INSERTION LOSS (dB) with Current						ISOLATION (dB) (Pin= -10dBm) with current						VSWR (:1)
		0mA	20mA	50mA	100mA	150mA	200mA	10mA	20mA	50mA	100mA	150mA	200mA	
0.10	19.80	0.17	0.17	0.16	0.17	0.20	0.24	19.46	19.04	17.83	14.58	12.66	11.75	1.16
0.27	19.80	0.13	0.13	0.13	0.14	0.14	0.15	25.86	25.53	24.52	21.43	19.31	18.16	1.07
0.53	19.80	0.12	0.12	0.12	0.11	0.11	0.11	29.17	28.98	28.36	26.18	24.40	23.37	1.04
1.06	19.80	0.13	0.13	0.12	0.11	0.12	0.12	30.81	30.74	30.56	29.62	28.62	27.92	1.02
10.00	18.50	0.16	0.17	0.17	0.16	0.16	0.16	30.06	30.07	30.07	30.20	30.38	30.56	1.04
114.75	19.50	0.22	0.25	0.24	0.22	0.22	0.22	34.45	34.49	34.27	33.99	33.83	33.59	1.07
324.25	19.70	0.50	0.55	0.53	0.52	0.53	0.56	44.65	44.61	44.25	43.90	43.91	43.34	1.06
743.25	18.70	0.28	0.31	0.30	0.29	0.29	0.29	51.19	50.50	50.16	50.65	51.69	52.47	1.06
952.75	18.20	0.31	0.33	0.33	0.31	0.32	0.33	40.75	40.80	40.97	40.97	40.93	40.95	1.11
1581.25	18.00	0.46	0.48	0.47	0.46	0.48	0.49	42.58	42.59	43.94	43.77	44.36	44.17	1.13
2000.25	17.10	0.46	0.48	0.47	0.46	0.46	0.47	45.46	45.57	45.73	45.48	46.14	45.28	1.12
2524.00	14.40	0.40	0.42	0.41	0.42	0.43	0.44	53.15	53.72	52.19	53.17	52.67	53.67	1.12
3047.75	14.20	0.45	0.48	0.47	0.46	0.46	0.49	52.46	52.25	51.55	51.33	51.46	50.99	1.09
3676.25	15.10	0.73	0.74	0.75	0.75	0.75	0.75	46.32	47.19	46.36	45.53	46.19	45.65	1.07
4200.00	17.90	1.04	1.07	1.07	1.06	1.05	1.06	28.42	28.36	28.24	28.14	28.01	27.92	1.09
4502.50	-0.60	1.17	1.19	1.18	1.19	1.17	1.16	28.15	28.10	28.05	27.96	27.84	27.87	1.14
4802.00	-0.70	1.26	1.26	1.27	1.25	1.22	1.20	37.95	38.01	38.19	37.93	37.58	37.51	1.12
5251.75	-1.10	1.19	1.17	1.16	1.13	1.11	1.09	49.68	51.04	49.12	49.37	49.13	48.19	1.11
5550.75	-2.00	1.65	1.63	1.60	1.56	1.54	1.51	38.44	38.56	38.36	38.07	37.85	38.19	1.10
6000.00	-2.40	1.70	1.71	1.65	1.59	1.54	1.50	34.37	34.36	34.23	34.40	34.49	34.48	1.12

Electrical Schematic



Mini-Circuits®
ISO 9001 ISO 14001 AS 9100 CERTIFIED
The Design Engineers Search Engine Provides ACTUAL Data Instantly at minicircuits.com
I/F/R/F MICROWAVE COMPONENTS

For detailed performance specs & shopping online see web site

P.O. Box 350166, Brooklyn, New York 11235-0003 (718) 934-4500 Fax (718) 332-4661

Notes: 1. Performance and quality attributes and conditions not expressly stated in this specification sheet are intended to be excluded and do not form a part of this specification sheet. 2. Electrical specifications and performance data contained herein are based on Mini-Circuit's applicable established test performance criteria and measurement instructions. 3. The parts covered by this specification sheet are subject to Mini-Circuits standard limited warranty and terms and conditions (collectively, "Standard Terms"); Purchasers of this part are entitled to the rights and benefits contained therein. For a full statement of the Standard Terms and the exclusive rights and remedies thereunder, please visit Mini-Circuits' website at www.minicircuits.com/MCLStore/terms.jsp.

REV. B
M108294
ZFBT-4R2G+
DJ/RS/CP
090729
Page 1 of 2

