

Coaxial Bias-Tee

75Ω Wideband 10 to 3000 MHz

ZFBT-33-75-FT+



CASE STYLE: K1486

Connectors	Model	Price	Qty.
N-Type	ZFBT-33-75-FT+	\$49.95	(1-9)

+RoHS Compliant

The +Suffix identifies RoHS Compliance. See our web site for RoHS Compliance methodologies and qualifications

Maximum Ratings

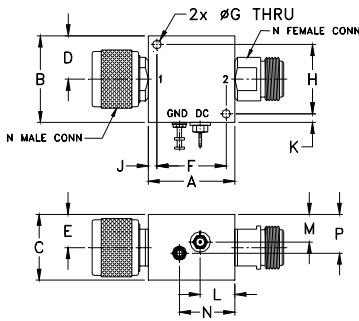
Operating Temperature	-55°C to 100°C
Storage Temperature	-55°C to 100°C
RF Power	30 dBm max.
Voltage at DC port	30 V max.
Input Current	200 mA

Permanent damage may occur if any of these limits are exceeded.

Coaxial Connections

RF	2 (N-female)
RF & DC	1 (N-male)
DC	(feed-through pin)
GROUND	GROUND

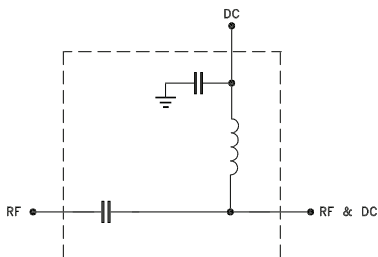
Outline Drawing



Outline Dimensions (inch/mm)

A	B	C	D	E	F	G	H
1.25	1.25	.95	.63	.47	1.00	.125	1.000
31.75	31.75	24.13	16.00	11.94	25.40	3.18	25.40
J	K	L	M	N	P	wt	
.13	.13	.50	.40	.80	.56	grams	
3.18	3.18	12.70	10.16	20.32	14.22	117.0	

Electrical Schematic



Notes

- Performance and quality attributes and conditions not expressly stated in this specification document are intended to be excluded and do not form a part of this specification document.
- Electrical specifications and performance data contained in this specification document are based on Mini-Circuit's applicable established test performance criteria and measurement instructions.
- The parts covered by this specification document are subject to Mini-Circuits standard limited warranty and terms and conditions (collectively, "Standard Terms"); Purchasers of this part are entitled to the rights and benefits contained therein. For a full statement of the Standard Terms and the exclusive rights and remedies thereunder, please visit Mini-Circuits' website at www.minicircuits.com/MCLStore/terms.jsp

Features

- wideband, 10 to 3000 MHz
- low insertion loss, 0.15 dB typ.
- feed through terminal per DC port
- excellent VSWR, 1.13:1 typ.

Applications

- biasing amplifiers
- biasing of laser diodes
- biasing of active antennas
- test accessory

Electrical Specifications at 25°C

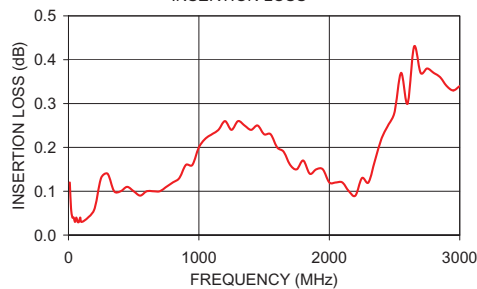
Parameter	Frequency (MHz)	Min.	Typ.	Max.	Unit
Frequency Range		10		3000	MHz
Insertion Loss¹	10-100	—	0.15	0.5	
	100-1500	—	0.15	0.6	dB
	1500-3000	—	0.2	0.8	
VSWR¹	10-100	—	1.25	1.5	
	100-1500	—	1.13	1.35	:1
	1500-3000	—	1.13	1.35	
DC Resistance, DC to RF and DC port	10 - 3000	—	1.0	—	ohms

1. Specifications and typical performance are relevant to input RF power up to +20dBm and DC Current up to 200mA.

Typical Performance Data

Frequency (MHz)	INSERTION LOSS (dB)	VSWR (:1)	
		RF	RF&DC
10.00	0.12	1.26	1.26
50.00	0.03	1.04	1.04
100.00	0.03	1.01	1.01
400.00	0.10	1.04	1.04
500.00	0.10	1.06	1.06
800.00	0.12	1.09	1.11
1000.00	0.20	1.13	1.14
1400.00	0.24	1.20	1.17
1500.00	0.23	1.20	1.18
1800.00	0.17	1.16	1.21
2000.00	0.12	1.19	1.21
2400.00	0.22	1.20	1.17
2500.00	0.28	1.17	1.17
2800.00	0.37	1.11	1.16
3000.00	0.34	1.14	1.15

ZFBT-33-75-FT+
INSERTION LOSS



ZFBT-33-75-FT+
VSWR

