

High Power, 7/16 Din Termination

50Ω Up to 500 Watt 0.7 to 7.5 GHz

TERM-500W-14D+



CASE STYLE: MD1561

Connector	Model	Price	Qty.
7/16 Din Fem	TERM-500W-14D+	\$1339.00	(1-9)

+RoHS Compliant

The +Suffix identifies RoHS Compliance. See our web site for RoHS Compliance methodologies and qualifications

Maximum Ratings

Operating Temperature	-10°C to 50°C
Storage Temperature	-10°C to 70°C
DC Supply voltage	+24±2V
Current (for fan)	310mA

Permanent damage may occur if any of these limits are exceeded.

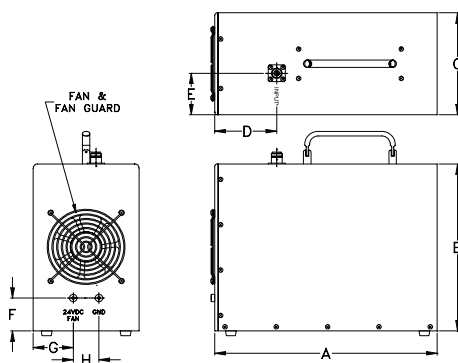
Features

- wideband coverage, 0.7 to 7.5 GHz
- useable from 0.5 to 10 GHz (return loss, 20 dB typ. at 4 GHz)
- rugged construction

Applications

- cellular communications
- satellite communications
- defense communications
- test set-up

Outline Drawing



Electrical Specifications at 25°C

Parameter	Condition (GHz)	Min.	Typ.	Max.	Unit
Frequency Range		0.7	—	7.5	GHz
Impedance			50		Ohms
Return Loss	0.7	—	17	—	dB
	1.0	16	20	—	
	2.0	17	22	—	
	4.0	16.5	20	—	
	6.0	16	20	—	
	7.5	16	22	—	
Input Power ¹	0.7	—	380	—	W
	1.0	—	500	—	
	2.0	—	395	—	
	4.0	—	280	—	
	6.0	—	225	—	
	7.5	—	175	—	

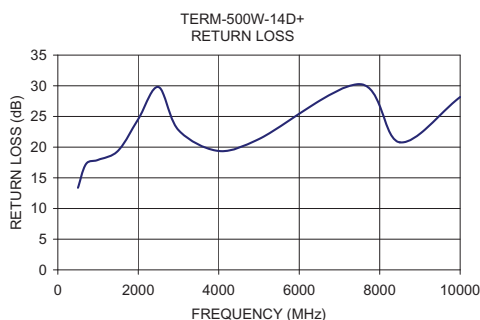
1. Fan must be kept ON when input power is over 20 watts. Do not obstruct the air flow at the rear of the unit.

Outline Dimensions (inch/mm)

A	B	C	D	E
13	10.1	6.2	3.62	2.52
330.20	256.54	157.48	91.95	64.01
F	G	H		w
2.00	2.34	1.50		grams
50.80	59.44	38.10		1405C

Typical Performance Data

Frequency (MHz)	Return Loss (dB)
500	13.37
700	17.24
1000	17.92
1500	19.42
2000	24.57
2500	29.80
3000	22.77
4000	19.37
5000	21.32
7500	30.27
8500	20.78
10000	28.17



Notes

- A. Performance and quality attributes and conditions not expressly stated in this specification document are intended to be excluded and do not form a part of this specification document.
 B. Electrical specifications and performance data contained in this specification document are based on Mini-Circuit's applicable established test performance criteria and measurement instructions.
 C. The parts covered by this specification document are subject to Mini-Circuits standard limited warranty and terms and conditions (collectively, "Standard Terms"); Purchasers of this part are entitled to the rights and benefits contained therein. For a full statement of the Standard Terms and the exclusive rights and remedies thereunder, please visit Mini-Circuits' website at www.minicircuits.com/MCLStore/terms.jsp

