

Surface Mount Power Splitter/Combiner

LRPS-2-25+ LRPS-2-25

2 Way-0° 50Ω 1700 to 2500 MHz



Maximum Ratings

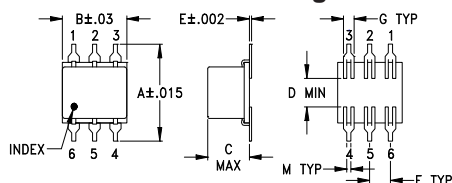
Operating Temperature	-40°C to 85°C
Storage Temperature	-55°C to 100°C
Power Input (as a splitter)	1W max.
Internal Dissipation	0.125W max.

Permanent damage may occur if any of these limits are exceeded.

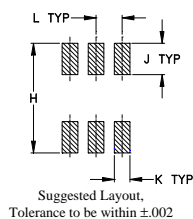
Pin Connections

SUM PORT	6
PORT 1	4
PORT 2	3
GROUND	1,2,5

Outline Drawing



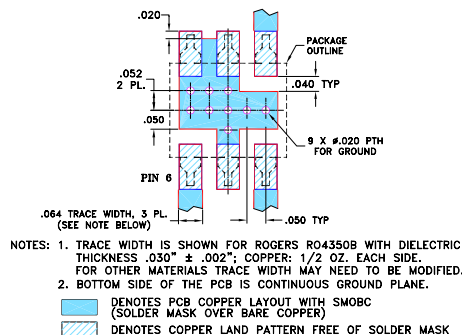
PCB Land Pattern



Outline Dimensions (inch/mm)

A	B	C	D	E	F	G	
.400	.31	.200	.10	.010	.100	.050	
10.16	7.87	5.08	2.54	0.25	2.54	1.27	
H	J	K	L	M		wt	
.420	.120	.060	.100	.020		grams	
10.67	3.05	1.52	2.54	0.51		0.55	

Demo Board MCL P/N: TB-100 Suggested PCB Layout (PL-057)



Features

- low insertion loss, 0.8 dB typ.
- good isolation, 20 dB typ.

Applications

- PCS
- DCS
- ISM
- communications systems

CASE STYLE: QQQ130
PRICE: \$21.95 ea. QTY. (10-49)

+ RoHS compliant in accordance with EU Directive (2002/95/EC)

The +Suffix identifies RoHS Compliance. See our web site for RoHS Compliance methodologies and qualifications.

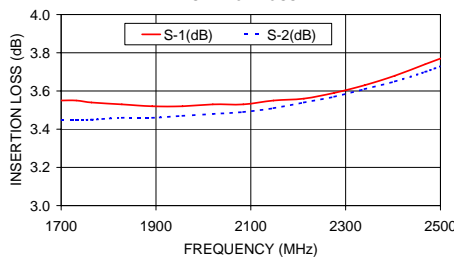
Electrical Specifications

FREQ. RANGE (MHz)	ISOLATION (dB)		INSERTION LOSS (dB) ABOVE 3.0 dB		PHASE UNBALANCE (Degrees)	AMPLITUDE UNBALANCE (dB)
	Typ.	Min.	Typ.	Max.	Max.	Max.
f_c - f_u	20	16	0.8	1.3	10	0.9
1700-2500						

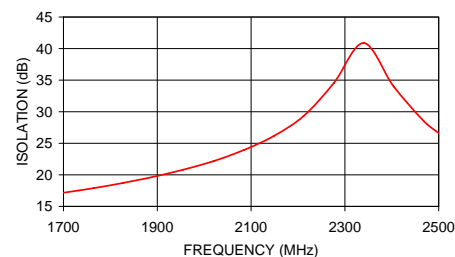
Typical Performance Data

Frequency (MHz)	Insertion Loss (dB)		Amplitude Unbalance (dB)	Isolation (dB)	Phase Unbalance (deg.)	VSWR S	VSWR 1	VSWR 2
	S-1	S-2						
1700.00	3.55	3.45	0.10	17.17	1.63	1.43	1.14	1.15
1732.00	3.55	3.45	0.10	17.52	1.55	1.40	1.13	1.16
1764.00	3.54	3.45	0.09	17.89	1.53	1.38	1.13	1.17
1828.00	3.53	3.46	0.07	18.73	1.43	1.35	1.12	1.19
1892.00	3.52	3.46	0.07	19.69	1.24	1.31	1.12	1.21
1956.00	3.52	3.47	0.05	20.83	1.13	1.28	1.12	1.25
2020.00	3.53	3.48	0.05	22.18	0.94	1.26	1.12	1.27
2084.00	3.53	3.49	0.04	23.91	0.75	1.25	1.11	1.30
2148.00	3.55	3.51	0.04	26.14	0.50	1.25	1.12	1.33
2212.00	3.56	3.54	0.02	29.31	0.34	1.25	1.12	1.36
2276.00	3.59	3.57	0.03	34.50	0.11	1.30	1.13	1.40
2340.00	3.63	3.61	0.03	40.88	0.21	1.32	1.14	1.43
2404.00	3.68	3.65	0.03	34.00	0.40	1.38	1.15	1.47
2468.00	3.74	3.70	0.03	28.52	0.79	1.44	1.16	1.51
2500.00	3.77	3.73	0.03	26.61	0.93	1.49	1.17	1.53

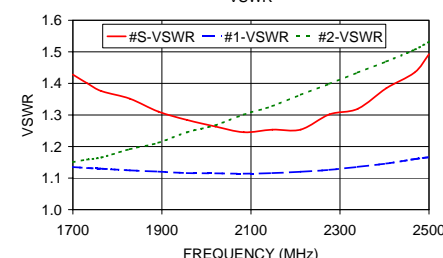
LRPS-2-25
INSERTION LOSS



LRPS-2-25
ISOLATION



LRPS-2-25
VSWR



electrical schematic



Mini-Circuits®
ISO 9001 ISO 14001 AS 9100 CERTIFIED

P.O. Box 350166, Brooklyn, New York 11235-0003 (718) 934-4500 Fax (718) 332-4661 The Design Engineers Search Engine Provides ACTUAL Data Instantly at minicircuits.com

For detailed performance specs & shopping online see web site

REV. OR
M102713
LRPS-2-25
ED-2361
DJ/TD/CP
090824

Notes: 1. Performance and quality attributes and conditions not expressly stated in this specification sheet are intended to be excluded and do not form a part of this specification sheet. 2. Electrical specifications and performance data contained herein are based on Mini-Circuit's applicable established test performance criteria and measurement instructions. 3. The parts covered by this specification sheet are subject to Mini-Circuits standard limited warranty and terms and conditions (collectively, "Standard Terms"); Purchasers of this part are entitled to the rights and benefits contained therein. For a full statement of the Standard Terms and the exclusive rights and remedies thereunder, please visit Mini-Circuits' website at www.minicircuits.com/MCLStore/terms.jsp.