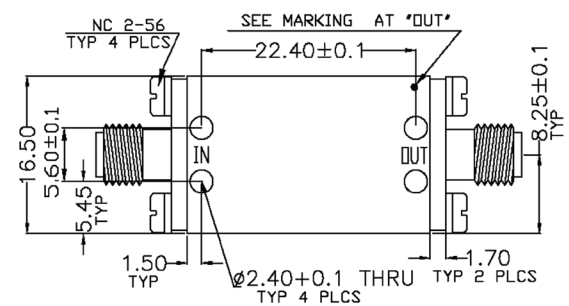
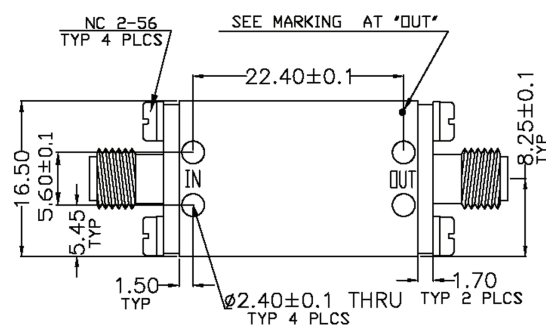
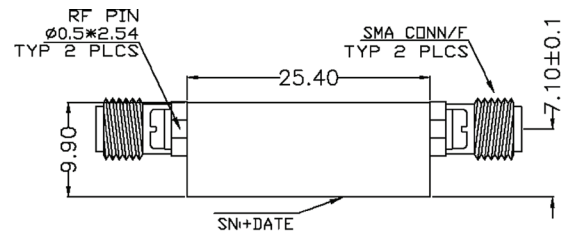
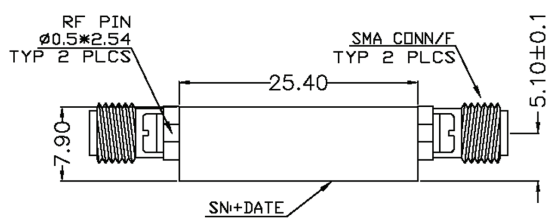


Limiters Series LIM Narrowband Specifications

PERFORMANCE CHARACTERISTICS

MODEL		LIM-12-VHP	LIM-1214-VHP	LIM-335-VHP
Frequency Range (GHz)		1.0 - 2.0	1.2 - 1.4	3.1 - 3.5
Insertion Loss, max (dB)		0.8	0.7	1.0
VSWR, max		1.5:1	1.3:1	1.3:1
Input Power, max (W)	CW	40	30	25
	Peak	400	300	250
Pulse Width, max (μ Sec)		10	20	50
Duty Cycle % max		10	10	10
Flat Leakage, max (mW)		100	100	32
Recovery Time, max (nsec)		400	400	350
Environmental Conditions		See Page 265		
Package Type		200/2-79	200/2-10	200/2-79
Connectors	Input	SMA (F)	SMA (F)	SMA (F)
	Output	SMA (F)	SMA (F)	SMA (F)

PACKAGE TYPE & DIMENSIONS



200/2-79

200/2-10

