

Surface Mount Power Splitter/Combiner

JSPQW-100A+ JSPQW-100A

2 Way-90° 50Ω 30 to 100 MHz



Maximum Ratings

Operating Temperature	-40°C to 85°C
Storage Temperature	-55°C to 100°C
Power Input (as a splitter)	1W max.
Internal Dissipation	0.125W max.

Permanent damage may occur if any of these limits are exceeded.

Pin Connections

SUMPORT	1
PORT 1 (0°)	7
PORT 2 (+90°)	8
GROUND	2,3,4,5,6,9,10,11,12,13,14

Features

- low insertion loss, 0.5 dB typ.
- excellent isolation, 41 dB typ.
- aqueous washable

Applications

- VHF
- signal processing
- modulators
- instrumentation
- balanced amplifiers

CASE STYLE: BK276
PRICE: \$19.95 ea. QTY (1-9)

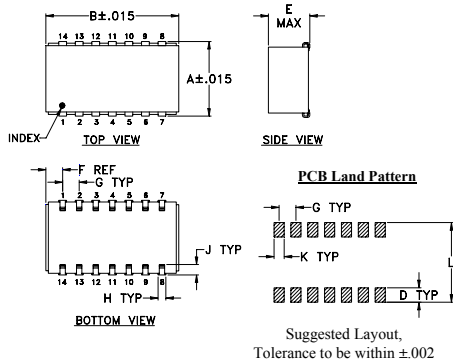
+ RoHS compliant in accordance with EU Directive (2002/95/EC)

The +Suffix identifies RoHS Compliance. See our web site for RoHS Compliance methodologies and qualifications.

Electrical Specifications

FREQ. RANGE (MHz)	ISOLATION (dB)		INSERTION LOSS (dB) Avg. of Coupled Outputs less 3 dB		PHASE UNBALANCE (Degrees)	AMPLITUDE UNBALANCE (dB)
	Typ.	Min.	Typ.	Max.	Max.	Max.
f_L - f_U						
30-100	41	30	0.5	1.1	4	0.6

Outline Drawing

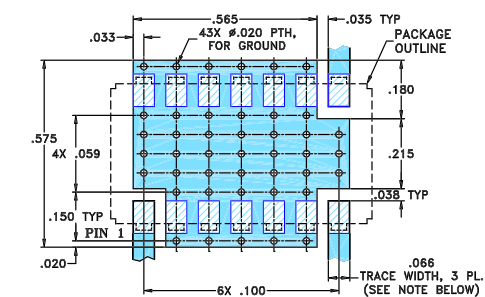


Outline Dimensions (inch/mm)

A	B	C	D	E	F	G
.450	.803	--	.100	.250	.102	.100
11.43	20.40	--	2.54	6.35	2.59	2.54

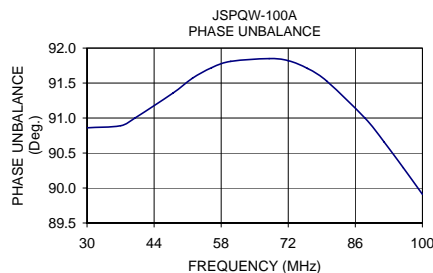
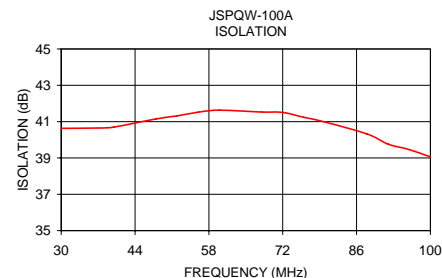
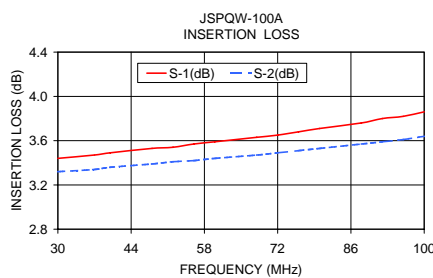
H	J	K	L	wt
.047	.065	.065	.470	grams
1.19	1.65	1.65	11.94	3.0

Demo Board MCL P/N: TB-217 Suggested PCB Layout (PL-099)

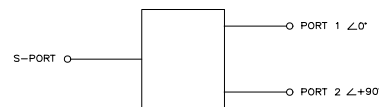


Typical Performance Data

Frequency (MHz)	Insertion Loss (dB)		Amplitude Unbalance (dB)	Isolation (dB)	Phase Unbalance (deg.)	VSWR S	VSWR 1	VSWR 2
	S-1	S-2						
30.00	3.44	3.32	0.12	40.63	90.86	1.07	1.23	1.18
37.00	3.47	3.34	0.13	40.65	90.89	1.06	1.22	1.19
40.00	3.49	3.36	0.13	40.70	91.00	1.06	1.21	1.20
48.00	3.53	3.39	0.14	41.15	91.36	1.06	1.19	1.21
52.00	3.54	3.41	0.13	41.32	91.57	1.06	1.18	1.22
56.00	3.57	3.42	0.15	41.52	91.72	1.07	1.17	1.22
60.00	3.59	3.44	0.15	41.63	91.81	1.09	1.17	1.23
68.00	3.63	3.47	0.16	41.53	91.85	1.13	1.18	1.24
72.00	3.65	3.49	0.17	41.51	91.82	1.15	1.19	1.25
76.00	3.68	3.51	0.18	41.24	91.71	1.17	1.21	1.26
80.00	3.71	3.53	0.18	40.98	91.53	1.20	1.23	1.27
88.00	3.76	3.57	0.20	40.32	91.00	1.25	1.28	1.29
92.00	3.80	3.59	0.21	39.76	90.66	1.28	1.30	1.30
96.00	3.82	3.61	0.21	39.46	90.29	1.30	1.33	1.32
100.00	3.86	3.64	0.22	39.06	89.91	1.33	1.36	1.33



electrical schematic



Mini-Circuits®
ISO 9001 ISO 14001 AS 9100 CERTIFIED

P.O. Box 350166, Brooklyn, New York 11235-0003 (718) 934-4500 Fax (718) 332-4661 The Design Engineers Search Engine Provides ACTUAL Data Instantly at minicircuits.com

IFIRF MICROWAVE COMPONENTS

For detailed performance specs & shopping online see web site

Notes: 1. Performance and quality attributes and conditions not expressly stated in this specification sheet are intended to be excluded and do not form a part of this specification sheet. 2. Electrical specifications and performance data contained herein are based on Mini-Circuit's applicable established test performance criteria and measurement instructions. 3. The parts covered by this specification sheet are subject to Mini-Circuits standard limited warranty and terms and conditions (collectively, "Standard Terms"); Purchasers of this part are entitled to the rights and benefits contained therein. For a full statement of the Standard Terms and the exclusive rights and remedies thereunder, please visit Mini-Circuits' website at www.minicircuits.com/MCLStore/terms.jsp.

REV. B
M102713
JSPQW-100A
LC/TD/CP
090824