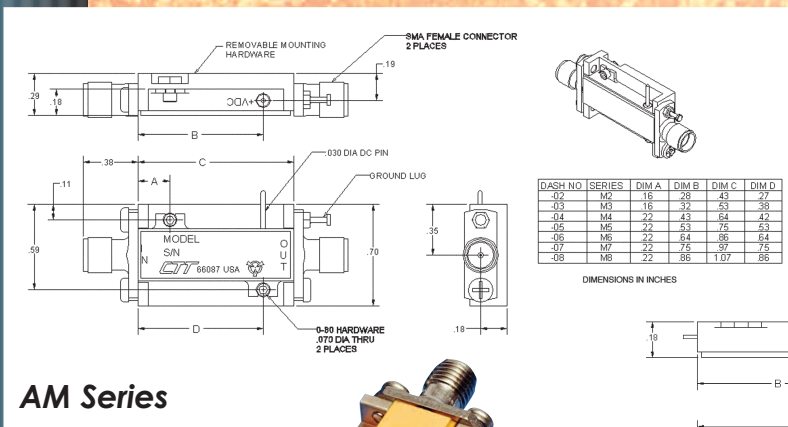


NEW Compact, Low-Noise Amplifiers

0.5 GHz to 16.5 GHz

NEW Compact, Low-Noise Amplifiers, 0.5 GHz to 20 GHz

Narrowband AM Series Model Number	Frequency Response (GHz)	Gain (dB)	Gain Flatness (±dB)	Noise Figure (dB)	P1dB (+dBm)	VSWR In/Out	Volts (DC)	DC Current (mA)	Case
AMN/039-1010	3.1-3.9	10	0.5	1.0	8	1.8:1	12-15	80	M3
AMN/039-1020	3.1-3.9	20	0.5	1.0	8	1.8:1	12-15	120	M4
AMN/039-1030	3.1-3.9	30	0.5	1.0	10	1.8:1	12-15	160	M4
AMN/039-1510	3.1-3.9	10	0.5	1.5	8	1.8:1	12-15	80	M3
AMN/039-1520	3.1-3.9	20	0.5	1.5	8	1.8:1	12-15	120	M4
AMN/039-1530	3.1-3.9	30	0.5	1.5	10	1.8:1	12-15	160	M4
AMW/059-1210	4.4-5.9	10	0.75	1.2	8	1.8:1	12-15	80	M3
AMW/059-1220	4.4-5.9	20	0.75	1.2	8	1.8:1	12-15	120	M4
AMW/059-1230	4.4-5.9	30	0.75	1.2	10	1.8:1	12-15	160	M4
AMW/059-1510	4.4-5.9	10	0.75	1.5	8	1.8:1	12-15	80	M3
AMW/059-1520	4.4-5.9	20	0.75	1.5	8	1.8:1	12-15	120	M4
AMW/059-1530	4.4-5.9	30	0.75	1.5	10	1.8:1	12-15	160	M4
AMN/085-1510	7.1-8.5	10	0.5	1.5	8	1.8:1	12-15	80	M3
AMN/085-1520	7.1-8.5	20	0.5	1.5	8	1.8:1	12-15	120	M4
AMN/085-1530	7.1-8.5	30	0.5	1.5	10	1.8:1	12-15	160	M4
AMN/096-1510	8.1-9.6	10	0.5	1.5	8	1.8:1	12-15	80	M3
AMN/096-1520	8.1-9.6	20	0.5	1.5	8	1.8:1	12-15	120	M4
AMN/096-1530	8.1-9.6	30	0.5	1.5	10	1.8:1	12-15	160	M4
AMN/106-1510	9.0-10.6	10	0.5	1.5	6	1.8:1	12-15	80	M3
AMN/106-1520	9.0-10.6	20	0.5	1.5	8	1.8:1	12-15	120	M4
AMN/106-1530	9.0-10.6	30	0.5	1.5	10	1.8:1	12-15	160	M4
AMW/125-1810	10.5-12.5	10	0.5	1.8	6	1.8:1	12-15	80	M3
AMW/125-1820	10.5-12.5	20	0.75	1.8	8	1.8:1	12-15	120	M4
AMW/125-1830	10.5-12.5	30	0.75	1.8	10	1.8:1	12-15	160	M4
AMW/155-2010	13.5-15.5	10	0.5	1.95	6	1.8:1	12-15	80	M3
AMW/155-2020	13.5-15.5	20	0.75	1.95	8	1.8:1	12-15	120	M4
AMW/155-2030	13.5-15.5	30	0.75	1.95	10	1.8:1	12-15	160	M4
AMW/155-2510	13.5-15.5	10	0.5	2.5	6	1.8:1	12-15	80	M3
AMW/155-2520	13.5-15.5	20	0.75	2.5	8	1.8:1	12-15	120	M4
AMW/155-2530	13.5-15.5	30	0.75	2.5	10	1.8:1	12-15	160	M4
AMW/170-2510	14.0-17.0	10	0.5	2.5	8	1.8:1	12-15	80	M3
AMW/170-2520	14.0-17.0	20	0.75	2.5	8	1.8:1	12-15	120	M4
AMW/170-2530	14.0-17.0	30	0.75	2.5	10	1.8:1	12-15	160	M4



AM Series

